

77MTX

4x4 TRACTOR
225 HP (168 KW) / 220 HP (164 KW)



77MTX 4x4 TRACTOR 225 HP (168 KW) / 220 HP (164 KW)



Engine and transmission coolers with 8 fins per inch spacing reduce buildup of debris. Hood rolls up for easy cleaning.



Individual gauges and indicators simplify operation, troubleshooting and repair.



GAME tractors are designed and manufactured from the ground up for the most demanding conditions the world has to offer. Industrial frames, belly pans, drivelines, powertrain components, and hitches are standards.



Tilting platform and hood provide unmatched access to engine, coolers, transmission, and under hood and cab components. Both work via hand pump even when systems are down.



Hood profile provides excellent visibility.



Built to withstand extreme applications, the frame accommodates multiple hitch configurations for high weight transfer, winches, and other equipment.

GAME Equipment reserves the right to change specifications without notice. Some photos may contain optional equipment.

77MTX 4x4 TRACTOR 225 HP (168 KW) / 220 HP (164 KW)

ENGINE

John Deere 6068 HF, 225HP (168 KW) @ 2,400 RPM, 619 FT-LB (839 NM) @ 1,400 RPM Mechanical engine with inline fuel pump
Severe dust, dry, dual stage air cleaner with service indicator and pre-cleaner
Fuel/water separator with secondary fuel filter
Large tropical radiator, transmission, and hydraulic oil coolers are 8 fins/inch and rubber isolator mounted
120-gal (454-liter) steel fuel tank with lockable cap and 12-inch clean out door
Manual hydraulic tilting hood allows easy cleaning of coolers and service of engine and under hood parts
Optional: Cummins QSB 6.7, Tier III, 220HP (164 KW) @ 2,200 RPM with 230HP (172 KW) @ 2,000 RPM bulge, Peak torque of 700 FT-LB (949 NM) @ 1,500 RPM

TRANSMISSION

Manually controlled, converter driven, 4-speed powershift with lockup
Powershift allows shifting under full engine power
Converter lock up in all gears
Mechanical drum parking brake on output shaft
Separate cooler/system isolates transmission from hydraulic system contamination
Optional: Direct drive powershift transmission with bump shifter and inching pedal - 8F/3R

AXLES

All wheels are powered
Heavy duty, planetary, dual reduction
Ring and pinion reduction with planetary final drives
No spin rear and limited slip front differentials
Oscillating front axle, rigid rear axle
Internal oil bath service brakes
7C Mechanics drivelines

TIRES

(4) 460/85R38, R-1W
Heavy duty, one piece rims
Optional: (4) 18.4R38, R2
(4) 23.1X26, 12-Ply, R1
(4) 23.1X26, 12-Ply, R2

CHASSIS

Heavy duty welded frame
Dual double acting heavy duty welded hydraulic steering cylinders with bushings
Belly pans and front pull hooks
Painted yellow gloss finish

STANDARD EQUIPMENT

Engine oil pressure gauge and indicator
Engine coolant temperature gauge and indicator
Voltage gauge
Fuel gauge
Tachometer with hour meter
Low hydraulic oil level buzzer/indicator
Transmission oil temperature gauge and indicator
Transmission pressure gauge and indicator
Oil filter service warning buzzer/indicator
Hand and foot throttle

ELECTRICAL

(2) 12-Volt DC, 925 CCA, Group 31XHE heavy duty commercial batteries.
12-Volt DC, 160-Amp alternator
Horn, reverse alarm, and master disconnect switch
Four LED headlights in hood
Two adjustable front and four rear/side work lights
Two LED work lights in rear bumper
Brake and indicator lights in rear bumper with warning lights top of cab (viewable front and rear)
Strobe light

OPERATOR'S STATION

Open station with welded steel canopy top
Fully adjustable suspension seat with armrests
Adjustable tilt steering column
Manual hydraulic tilting platform
Optional: Air conditioned cab with AM/FM stereo
Air suspension seat

HYDRAULIC SYSTEM

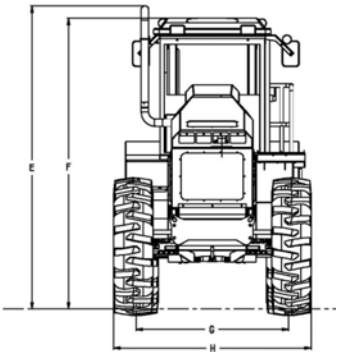
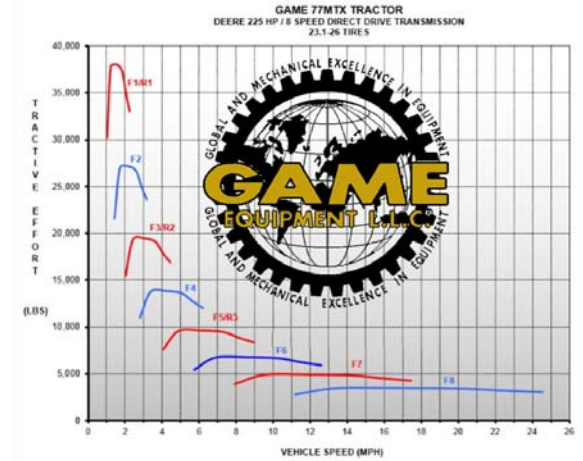
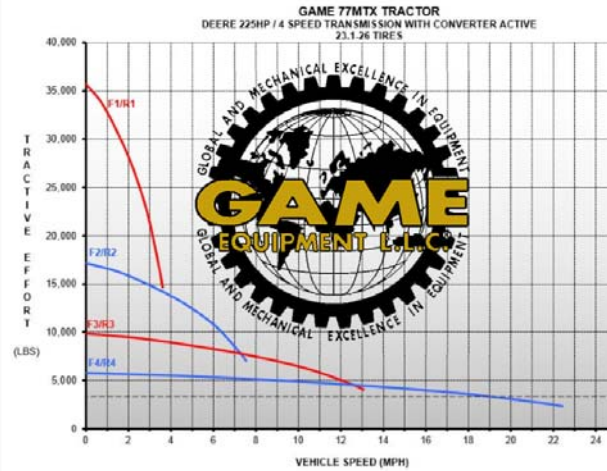
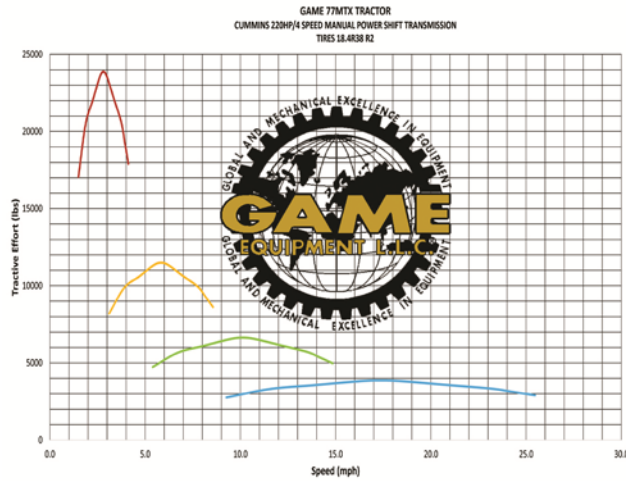
Open center pump for brakes, steering, and implement valve
49-gal pressurized hydraulic tank with 100% filtration and 12-inch clean out door
Cable operated 2-bank implement valve
Accumulator for emergency braking

MISC OPTIONS

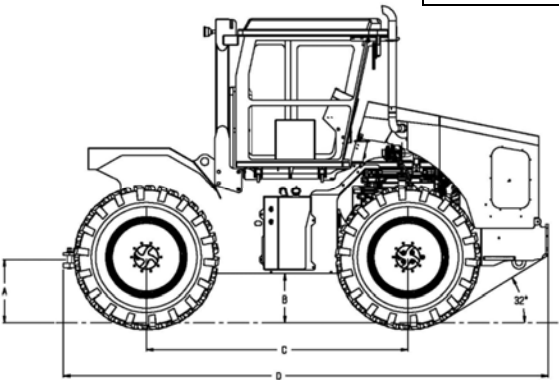
Rear windshield wiper and washer (with cab option)
Cable operated 4-bank control valves
Air compressor, tank, trailer park and service brakes via foot & lever
7-pin electrical connector capable of multiple trailer operation
Hydraulic brake ports on rear for trailer
Heavy duty fixed/swinging drawbar
Heavy duty fixed/swinging drawbar with three hitch heights
Welded rear extension with pintle hook
Category III, 3-point hitch
3-point hitch draft/height control
Fifth wheel hitch
Regular or inverted 4-inch gooseneck ball
40,000-lb hydraulic winch on rear frame
Front push bumper and blades
Electronic steering and mapping
Operator tool set with lockable tool box
Fire extinguisher
First aid kit
Drinking water container

GAME Equipment reserves the right to change specifications without notice. Some photos may contain optional equipment.

77MTX 4x4 TRACTOR 225 HP (168 KW) / 220 HP (164 KW)



TIRE SIZE	A - IN(MM)	B - IN(MM)	C - IN(MM)	D - IN(MM)	E - IN(MM)	F - IN(MM)	G - IN(MM)	H - IN(MM)
23.1X26 R1 12PLY	28 (711)	21.5 (546)	118 (2997)	218.8 (5558)	145.4 (3693.2)	139.9 (3553.5)	78.7 (1999)	97.4 (2473.9)
23.1X26 R2 12PLY	28.8 (731.5)	22.3 (566.4)	118 (2997)	218.8 (5558)	145.5 (3695.7)	140.5 (3568.7)	78.7 (1999)	97.1 (2466.3)
18.4XR38 R2	31.5 (800.1)	25 (635)	118 (2997)	218.8 (5558)	142.5 (3679)	137 (3479)	78.7 (1999)	102 (2590.8)
460/85R38 R-1W	30.9 (784.9)	24.4 (619.7)	118 (2997)	218.8 (5558)	143.3 (36396.8)	137.8 (3500.1)	78.7 (1999)	101.7 (2583.2)



Specifications:

Unladen Tractor Weight

19,000–23,000 lbs (8,635 - 10,454 kg)

Unladen Weight Distribution

58% Front Axle 42% Rear Axle

Steering on 23.1 x 34 tires

Inner Turning Radius 292" (6400 mm)
SAE Turning Radius 330" (8890 mm)
Clearance Radius 344" (8757 mm)

Shipping

1-2 Tractors per std high cube 40' container, depending on options

GAME Equipment reserves the right to change specifications without notice. Some photos may contain optional equipment.