

# 4475VSX

VEGETABLE SPRAYER 110 HP (82 KW) / 99 HP (74 KW)



Game Equipment LLC 3322 Hwy 308 Napoleonville, LA USA 70390-8904 Ph: 985-369-9292 Fax: 985-369-9595 [www.gameeq.com](http://www.gameeq.com)

# 4475VSX VEGETABLE SPRAYER 110 HP (82 KW) / 99 HP (74 KW)

## ENGINE

- Cummins QSB4.5, Tier III electronic engine, 110 HP (82 KW) @ 2,200 RPM, Peak torque of 360 FT-LB (488 NM) at 1,500 RPM
- In line 4-cylinder, four stroke, compression ratio
- 272 cubic inch (4.5 liter) displacement
- Severe dust, dry, dual stage air cleaner with service indicator
- Spinning type dust pre-cleaner with automatic dust ejector
- Primary fuel/water separator with secondary fuel filter
- Heavy duty muffler
- Large tropical radiator and hydraulic oil coolers are 8 fins per inch and rubber isolator mounted
- 160-Ampere alternator

## Export Only Option:

- John Deere 4045T, 99 HP @ 2,500 RPM mechanical engine

## HYDROSTATIC DRIVE

- Hand hydrostatic control
- Two heavy duty, bi-directional, hydrostatic, variable displacement, axial piston pumps
- (4) Two-speed, hydrostatic motors:
  - \* Top speed 14.6 MPH
  - \* Low speed 9.0 MPH
- Four wheel drive
- 9.5 R36, R-1 front tires
- 9.5 R48, R-1 rear tires
- Brakes on all four wheels

## CHASSIS

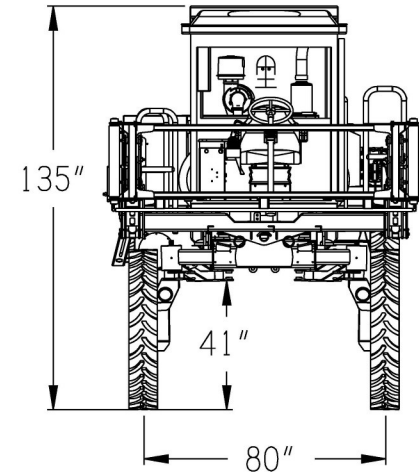
- Solid welded tubular frame
- Air conditioned cab (*Cab is not certified or intended to provide dermal, contact, or inhalation protection against chemicals. Operator must wear all protection equipment in compliance of product labeling of chemicals used.*)
- 30-gallon fuel tank
- 41 inches crop clearance
- 400-gallon poly tank
- Hydraulically adjustable wheel spacing
- (3) 1" 600 PSI rate, stainless steel spray valves
- 1" 600 PSI rated, stainless steel bypass valve when boom valves are turned off
- Hydraulically driven 1.5" X 1.25 centrifugal pump for agitation

## STANDARD SPECIFICATIONS

- Wheel spacing 64" to 80" centerlines
- 40' boom (tip to tip)
- Hydraulically driven 280 PSI diaphragm pump for spray
- Raven control system with SCS 4400 console
- LED lighting

## OPTIONS

- Wheel spacing 60" to 80" centerlines
- Wheel spacing 68" to 84" centerlines
- Boom wing tilt
- No Boom
- Additional hydraulic and electrical needed for wing tilt with "No Boom" option
- Pair of 2' boom extensions
- Stainless steel centrifugal pump for spray
- 700 PSI diaphragm pump
- Raven Envizio/Switch Pro console
- Raven Viper 4/Switch Pro console
- Stainless steel tank, fittings, hoses, strainers, valves, agitation centrifugal pump, etc. Only the diaphragm pump and relief are not stainless steel



GAME Equipment reserves the right to change specifications without notice. Some photos may contain optional equipment.